

NPN

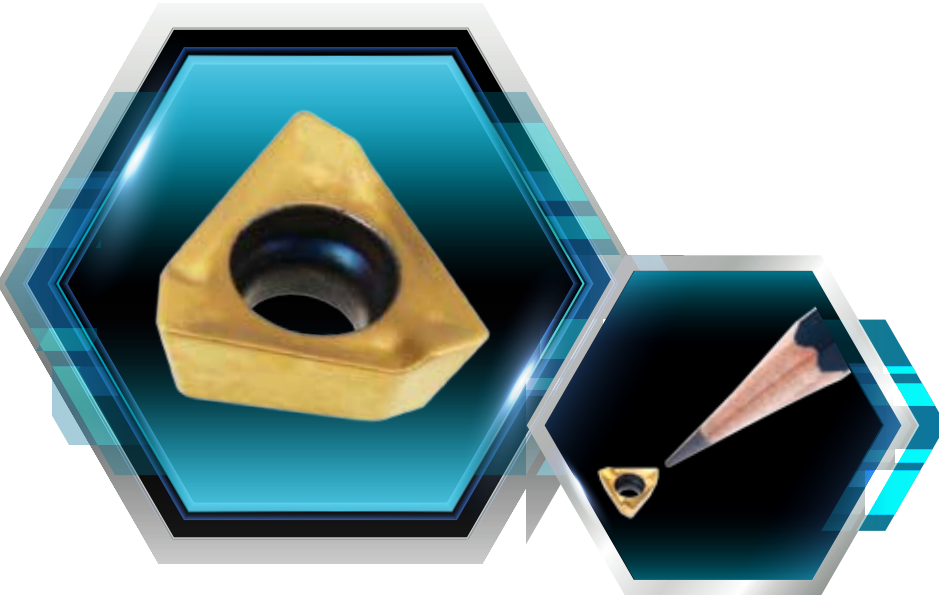
New Product News



MILLRUSH

POSITIVE 90° MILL

Multi-tooth 90° End Mill with Small Helical Triangular Insert



KEY POINT

TaeguTec has expanded the MILL-RUSH family with the new 3PKT 04 insert and related cutters.

With the introduction of the 3PKT 04 insert and associated cutters, TaeguTec has expanded the line by adding an extra size to the **MILL-RUSH** family.

With the 3PKT line's three helical cutting edges and high positive axial rake angle, the line has matured into a highly productive true 90° milling solution. Moreover, the smaller size insert means better productivity as a higher number of inserts can be added to the related cutters.

- * As part of the new campaign, the design for the new **MILL-RUSH** line highlights TaeguTec's new direction.
- * The new **MILL-RUSH** logo will be applied to the 3PKT 06-19 inserts and cutters as well.

For more information, please contact TaeguTec's product manager.

Features

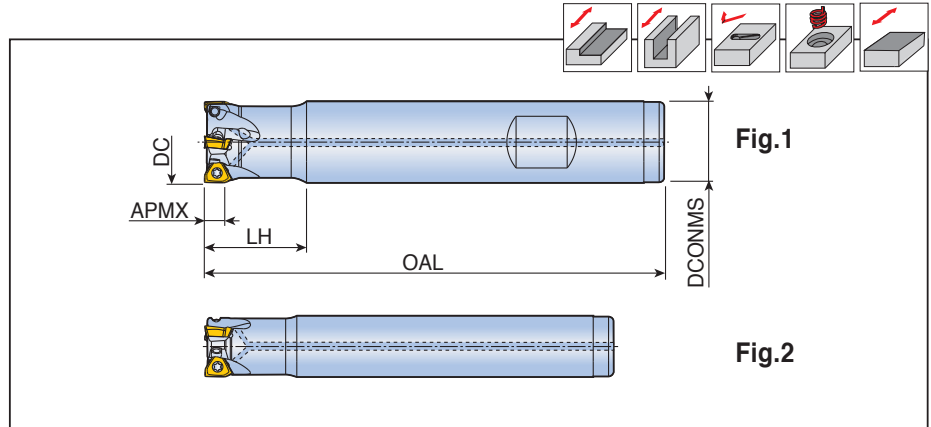
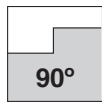
- True 90° milling solution
- Smaller insert size (IC 3.97 mm)
- Minimum diameters: Ø8(1z) End mill, Ø10(2z) End mill
- High positive axial rake angle for low cutting force and improved productivity
- Finer pitch cutters maximize productivity



3P-TE90-04



End mills

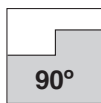
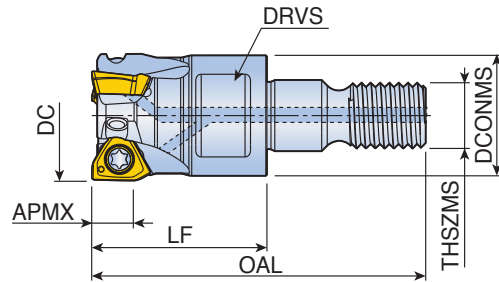
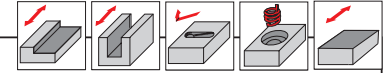


Designation	⌀	Dimension (mm)					Coolant	Fig.	Insert
		DC	DCONMS	OAL	LH	APMX			
3P-TE90-108-08-04	1	8	8	80	17	3.5	●	2	3PKT 0402...
210-10-04	2	10	10	80	17	3.5	●	2	
210-09-04-L	2	10	9	120	10	3.5	●	2	
211-10-04	2	11	10	80	11	3.5	●	2	
212-11-04-L	2	12	11	120	11	3.5	●	2	
212-12-04	2	12	12	80	18	3.5	●	2	
212-12-04-L	2	12	12	120	18	3.5	●	2	
312-12-04	3	12	12	80	18	3.5	●	2	
313-12-04	3	13	12	90	11	3.5	●	2	
314-12-04	3	14	12	90	12	3.5	●	2	
316-16-04	3	16	16	110	20	3.5	●	2	
416-W16-04	4	16	16	90	20	3.5	●	1	

3P-TE90-M-04



Modular heads for T-FLEXTEC



Designation		Dimension (mm)							Coolant	Insert
		DC	DCONMS	LF	OAL	THSZMS	APMX	DRVS		
3P-TE90- 210-M06-04	2	10	9.7	17	31.5	M06	3.5	8	●	3PKT 0402...
312-M06-04	3	12	11	17	31.5	M06	3.5	8	●	
416-M08-04	4	16	13	23	40.5	M08	3.5	10	●	

• Matched with T-FLEXTEC holder

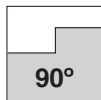
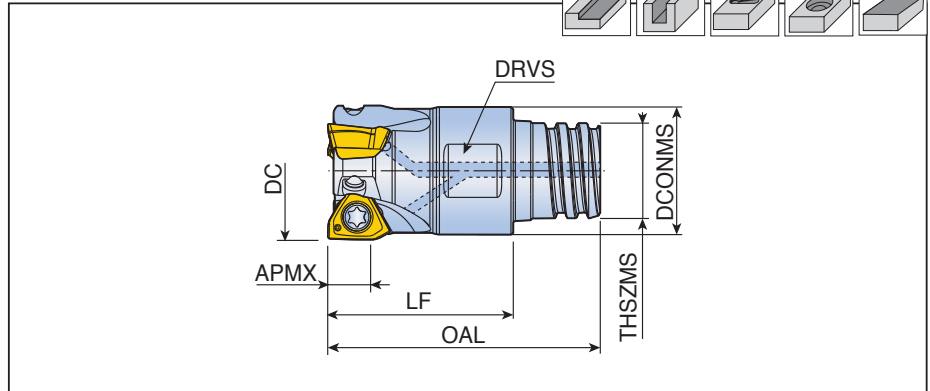
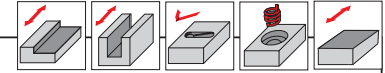
Spare parts

Designation	Screw	Wrench			
3P-TE90-04 (ø8)	TS 18033/HG-P	TD 6P			
3P-TE90-04 (ø10-)	TS 180411/HG	TD 6P			

3P-TE90-S-04



Modular heads for MAXI-RUSH



Designation		Dimension (mm)							Coolant	Insert
		DC	DCONMS	LF	OAL	THSZMS	APMX	DRVS		
3P-TE90- 210-S06-04	2	10	9.6	15	21.3	S06	3.5	8	●	3PKT 0402...
312-S08-04	3	12	11.5	16	23.5	S08	3.5	10	●	
416-S10-04	4	16	15.2	20	31.3	S10	3.5	13	●	

• Matched with MAXI-RUSH holder

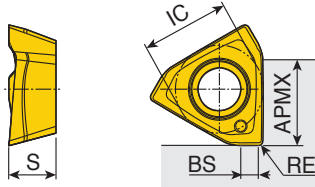
Spare parts

Designation	Screw	Wrench			
3P-TE90-04	TS 180411/HG	TD 6P			

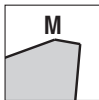
3PKT 04



Inserts



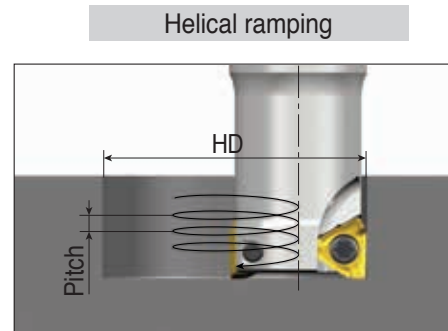
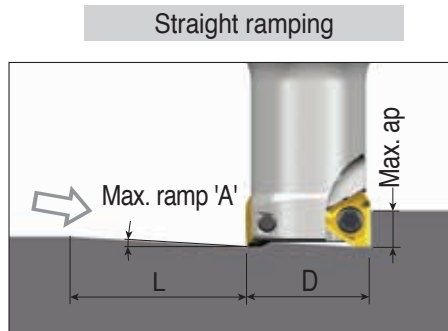
Size	Dimension (mm)				
	IC	S	APMX	BS	RE
04-M	3.9	2.1	3.5	0.5-0.7	0.2-0.4



Insert	Designation	Recommended machining conditions		Coated						Uncoated			
		ap (mm)	Feed (mm/tooth)	TT9080	TT9030	TT8080	TT8020	TT8525	TT7080	TT7515	TT6080	K10	
	3PKT 040202R-M	0.5-3.0	0.08-0.04	●		●							
	040204R-M	0.5-3.0	0.08-0.04	●		●							

●: Standard items

Ramping Data



3PKT 04

(unit: mm)

Cutter dia.(D)	Straight ramp down			Helical ramp down		
	Max. ramp (A°)	Max. ap	Min. length (L)	Min. dia.(HD)	Max. dia.(HD)	Max. pitch/rev.
Ø8	2.1	3.5	95	13.2	16	0.6
Ø10	2.2		91	17.2	20	0.8
Ø11	3.6		56	19.2	22	1.6
Ø12	3.3		61	21.2	24	1.6
Ø13	2.5		80	23.2	26	1.4
Ø14	2.2		91	25.2	28	1.3
Ø16	1.6		125	29.2		1.1
					32	1.4