

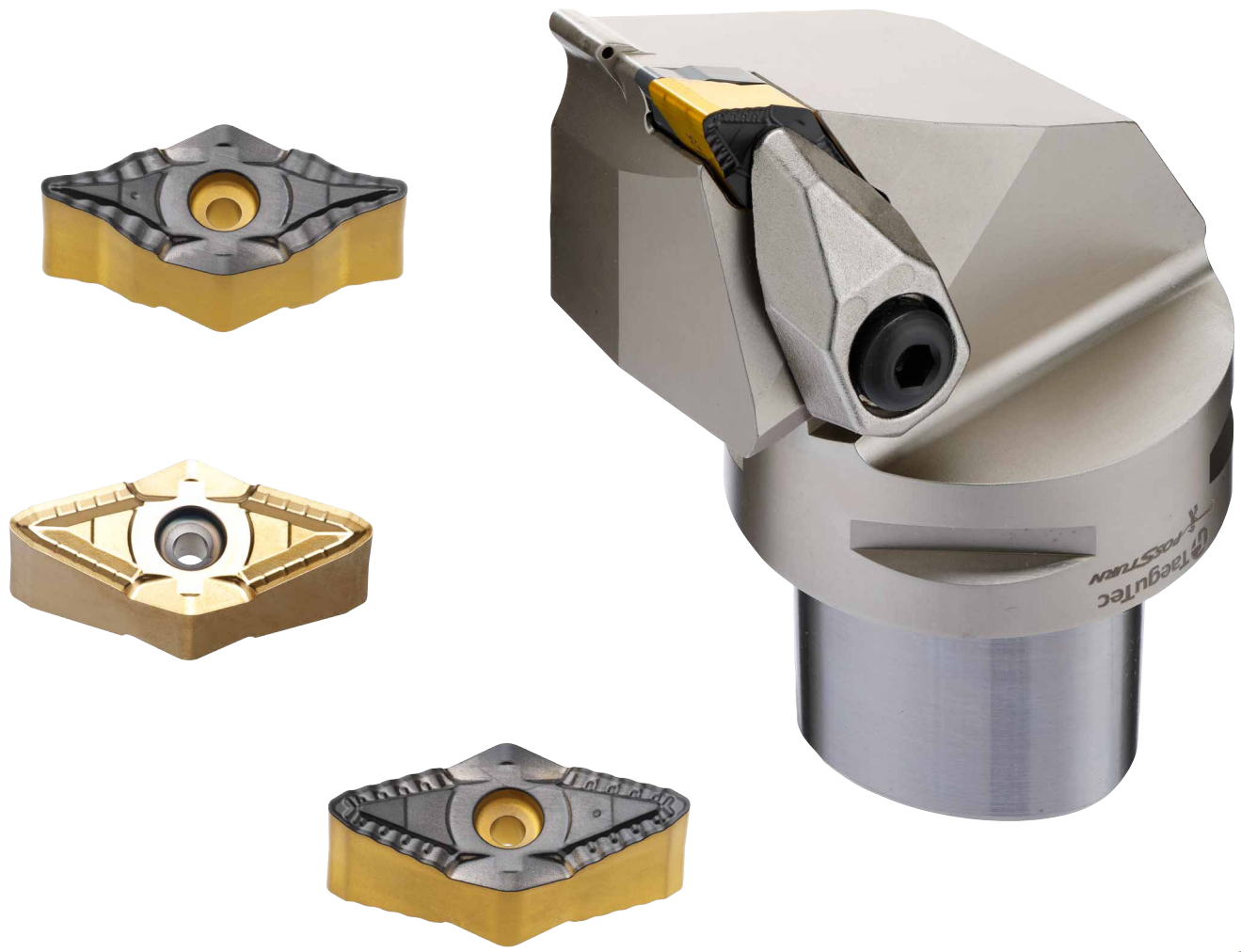
NPN

New Product News



POSSTURN
DOUBLE SIDED POSITIVE TURNING

C-ADAPTER Items Added



KEY POINT

C-ADAPTERS now available for the POS-S-TURN line.

TaeguTec's POS-S-TURN, the optimally designed double-sided 4-corners all directional turning insert line with excellent high feed back turning capability, has been expanded to include C-ADAPTERS.

The C-ADAPTERS add the further benefit of high precision machining and improved productivity due to the quick change tool system.

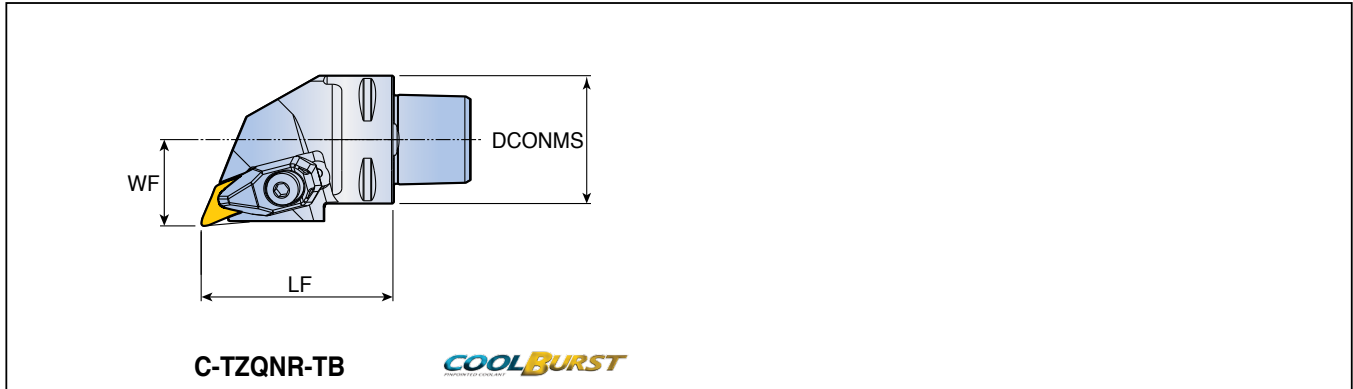
FEATURES

- High precision machining on the workpiece
- Improved productivity due to the quick change tool capability
- The same axial and radial rake angle as standard positive inserts with low cutting force when mounted to holders
- Serrated cutting edge enables excellent chip control in variable depth of cut machining
- All directional turning and multiple applications including backward and forward longitudinal turning, face turning, profile and undercutting without exchanging the tool holder
 - Higher productivity due to reduced downtime and reduced holder inventory
- High feed, backward longitudinal and face turning solution that maximizes productivity
- The same T-Holder's simple clamping operation and strong clamping force

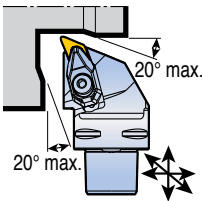
C-TZQNR/L-TB



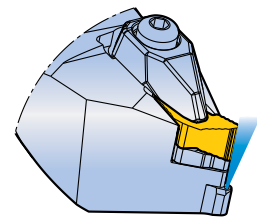
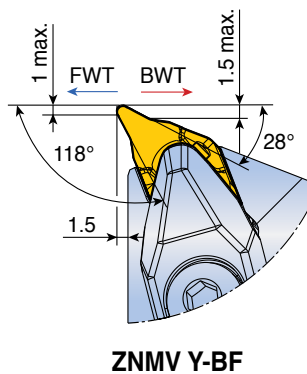
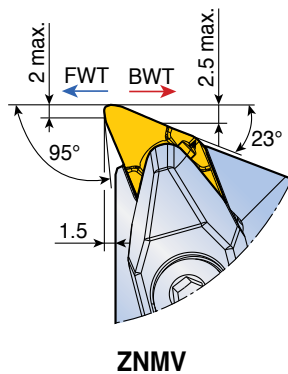
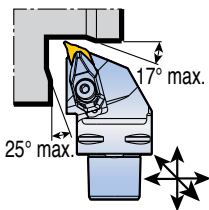
C-ADAPTER for ZNMV inserts



Approach angle	Designation	Dimension (mm)			Insert
		WF	LF	DCONMS	
ZNMV 23° (BWT) 95° (FWT)	C4-TZQNR/L 27060-1410-TB	27	60	40	ZNMV 1410... POSTURN
	C5-TZQNR/L 35060-1410-TB	35	60	50	
	C6-TZQNR/L 45065-1410-TB	45	65	60	



ZNMV Y-BF
28° (BWT)
118° (FWT)



- BWT: Backward turning
- FWT: Forward turning

Spare parts

Designation	Clamp	Clamp screw	Spring	Shim	Shim screw	Wrench	
	C-TZQNR/L-TB	DLM 3.3Z-NV	DLS 5	DSP 5	TSZ 140310	TS 35083I/HG	L-W 4