

NPN

New Product News



TOP MINI

Back Turning Holders and Inserts



KEY POINT

The TOPMINI line now includes the latest PVD coated inserts specifically suited to back turning and holders.

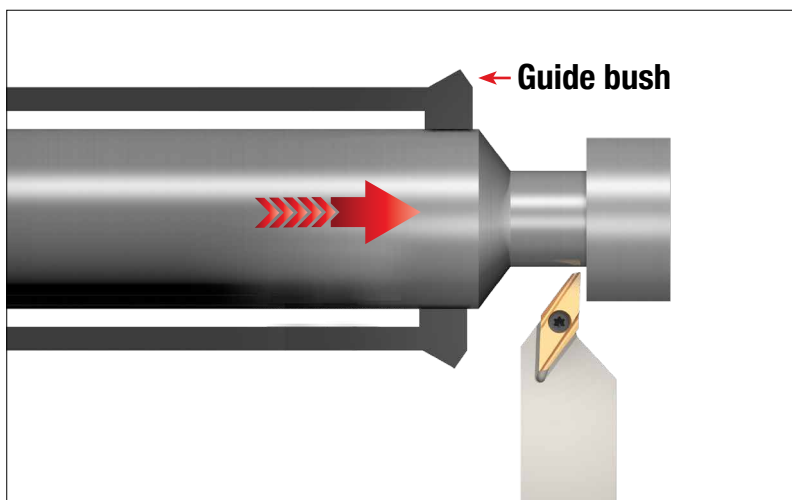
The inserts for the **TOPMINI** line's back turning holders are located away from the guide bush. Therefore, the machining operation for finishing can be performed without retracting the workpiece from the guide bush. Further, the specialized insert edge geometry enables excellent precision and surface roughness.

Back turning lines are a popular option for smaller size machining in industries ranging from automotive and medical to semiconductor manufacturing.

For further technical questions, please contact the product manager.

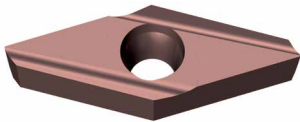
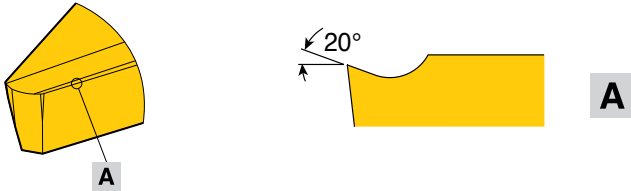
Holder features

- Back turning for general purpose machining
- Finish machining can be performed without retracting the workpiece from the guide bush
- Two holder types: General and COOL-BURST



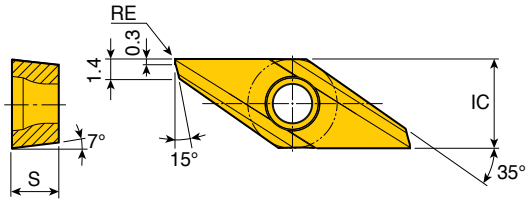
Insert features

- Excellent chip control due to the insert's sharp cutting edge and optimized chip groove shape
- Optimal grooving performance enabled by the deeper depth of cut capability
- Insert's wiper edge generates excellent surface roughness

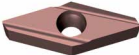
Chip breaker	Edge geometry
 <p data-bbox="355 817 392 846">R-F</p>	

BTVC

Positive 7° clearance 35° rhombic inserts



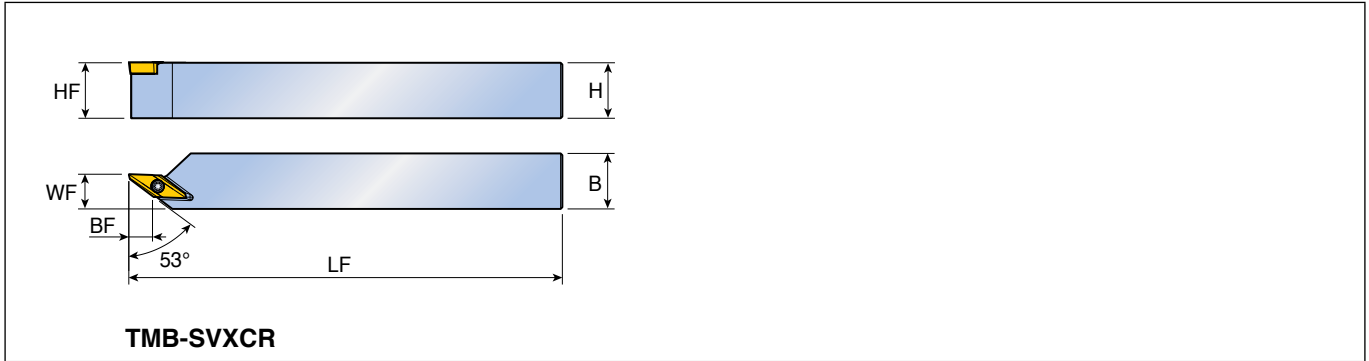
Size	Dimension (mm)		
	IC	S	RE
11	6.35	3.18	0-0.2

Insert	Designation	ap (mm)	Feed (mm/rev)	PVD coated			
				TT4410	TT4430		
	BTVC 110300R-F	0.03-3.5	0.01-0.12		•		
	110301MR-F	0.05-3.5	0.01-0.15		•		
	110302MR-F	0.1-3.5	0.01-0.15		•		

•: Standard items

TMB-SVXCR

Screw type back turning holders



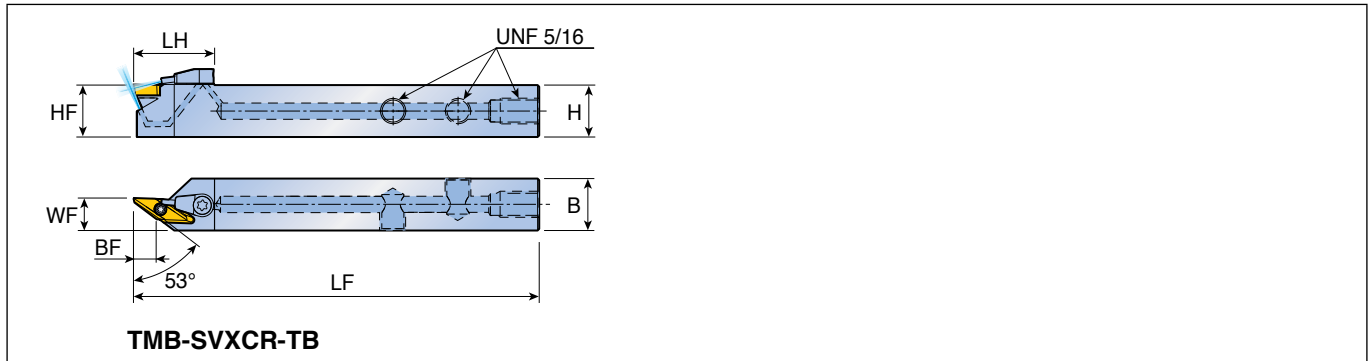
Approach angle	Designation	Dimension (mm)						Insert
		H	B	HF	LF	WF	BF	
53°	TMB-SVXCR 1212 K11	12	12	12	125	10	7.2	BTVC 11...
	1616 K11	16	16	16	125	10	7.2	

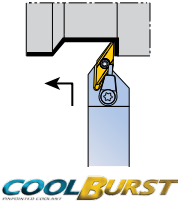
Spare parts

Designation	Screw	Wrench			
	TMB-SVXCR	SO 25065I	T 7		





TMB-SVXCR-TB

Screw type back turning holders with high-pressure coolant



Approach angle	Designation	Dimension (mm)								Insert
		H	B	HF	LF	LH	WF	BF		
53°	TMB-SVXCR 1212 K11-TB	12	12	12	125	25	10	7.2	BTVC 11...	
	1616 K11-TB	16	16	16	125	25	10	7.2		
										

Spare parts

Designation	Screw	Cooling unit	Plug	Wrench	
	TMB-SVXCR-TB	 SO 250651	 S-CU-TB	 PLG 5/16 UNF	 T 7