

NPN

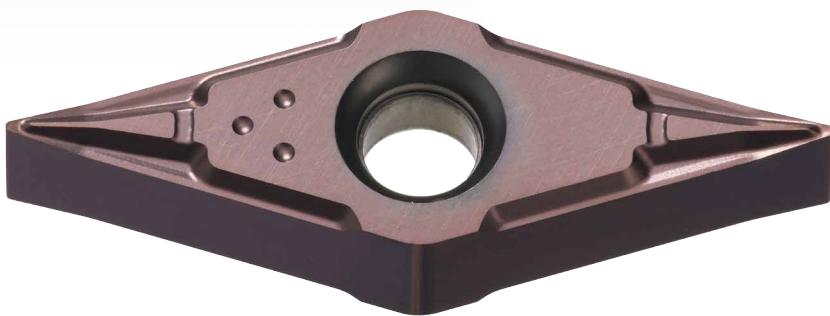
New Product News



RHINO TURN

SWISS

New Chip Breakers for Smaller-Size Machining Applications



KEY POINT

New chip breakers for Taegutec's RHINOTURN SWISS line released.

TaeguTec has introduced two new chip breakers specifically for smaller-size products machining. The **FU** and **FS** chip breakers minimize the built-up-edges that occur during machining due to their sharp cutting edges which ensure longer tool life. Designed as double-sided, four-corner inserts, they are more economical than the existing positive inserts for Swiss turning.

The **FU** chip breaker, for general purpose machining, has a wide chip control area. The **FS** chip breaker for super finishing applications has excellent chip control capability at low depths of cut, thus minimizing swarf challenges during machining.

Even though both the **FU** and **FS** chip breakers are double-sided, they are characterized by low cutting load and vibration acting like single-sided types when mounted to the holder.

The double-sided **RHINOTURN SWISS FU** and **FS** items include high quality sharp cutting edges, through a micro unit chipping control system, resulting in excellent surface roughness and precision at low depths of cut.

Both chip breakers come in the latest PVD grades — T4410 and TT4430 grades — providing excellent performance in Swiss type automatic lathes.

Features

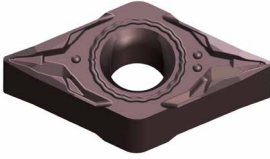
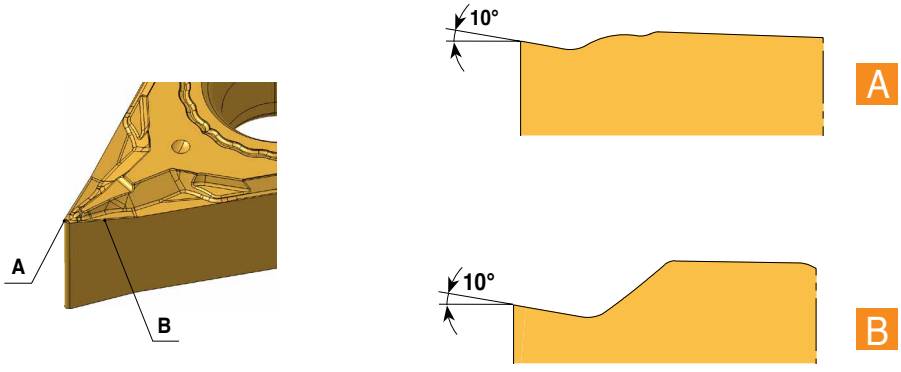
■ **FU** chip breaker

- Wide chip control range
- For Swiss type automatic lathes general purpose machining
- Low cutting load and vibration

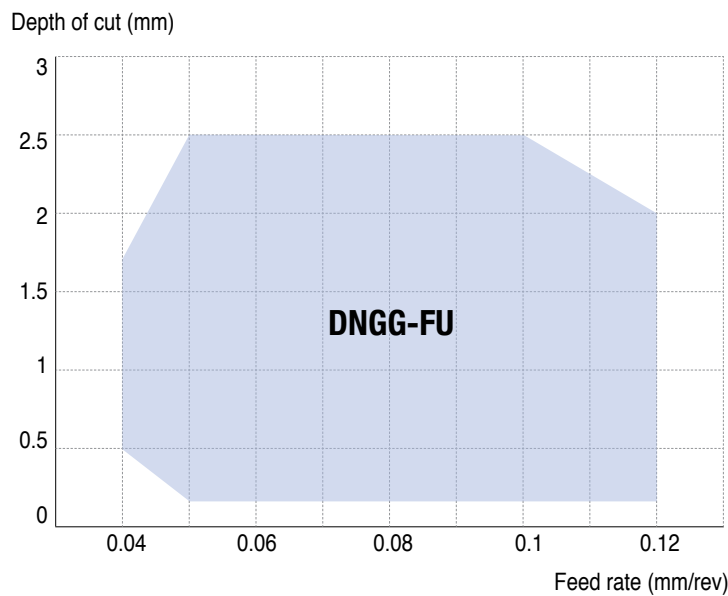
■ **FS** chip breaker

- Low cutting load and vibration
- For Swiss type lathes super finishing applications
- Low cutting load and vibration

FU chip breaker geometry


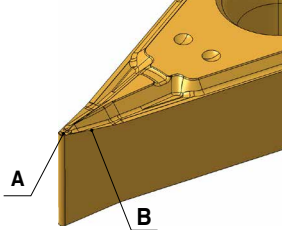
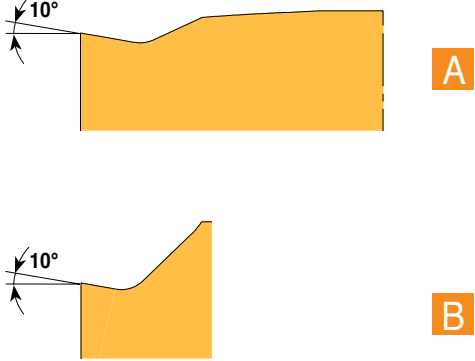
Chip breaker	Cutting edge geometry
 <p>For medium (General purpose)</p>	

FU chip breaker range



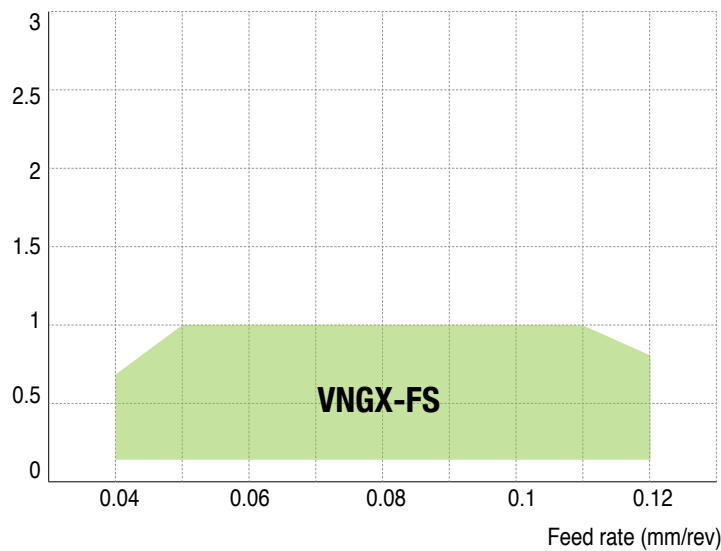
- Insert : DNGG 130502M FU-F
- Cutting speed (V) : 80m/min
- Material : AISI 304 (HB140-160)

FS chip breaker geometry

Chip breaker	Cutting edge geometry
 <p>For super finishing</p>	 

FS chip breaker range

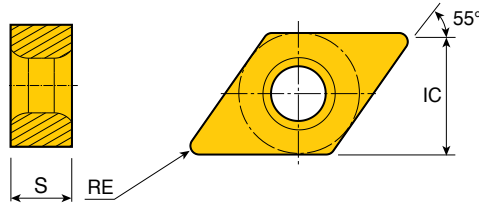
Depth of cut (mm)



- Insert : VNGX 130402M FS-F
- Cutting speed (V) : 80m/min
- Material : AISI 304 (HB140-160)

DNGG new

Negative 55° rhombic inserts



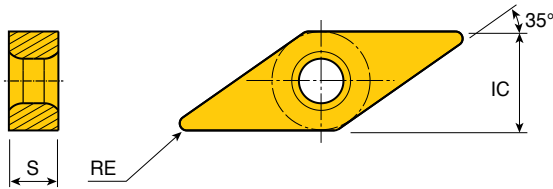
Size	Dimension (mm)		
	IC	S	RE
15	11.11	5.56	0.1-0.4

Insert	Designation	ap (mm)	Feed (mm/rev)	PVD coated	
				TT4410	TT4430
	DNGG 130501M FU-F	0.2-2.5	0.03-0.12	●	●
	130502M FU-F	0.2-2.5	0.04-0.12	●	●
	130504M FU-F	0.4-2.5	0.05-0.12	●	●


●: Standard items

VNGX new

Negative 35° rhombic inserts



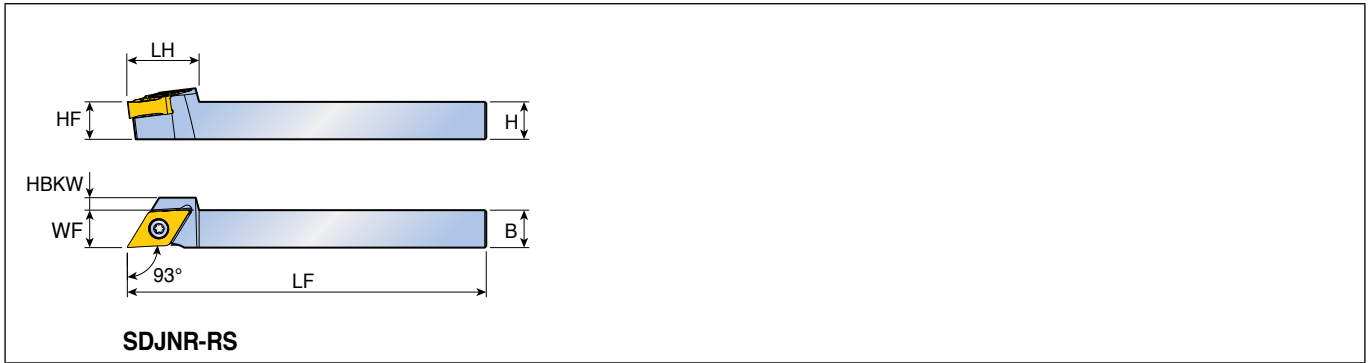
Size	Dimension (mm)		
	IC	S	RE
13	7.94	4.76	0.1-0.2

Insert	Designation	ap (mm)	Feed (mm/rev)	PVD coated	
				TT4410	TT4430
	VNGX 130401M FS-F	0.2-1.0	0.03-0.12	●	●
	130402M FS-F	0.2-1.0	0.04-0.12	●	●

●: Standard items



SDJNR-RS

Sleeve holders



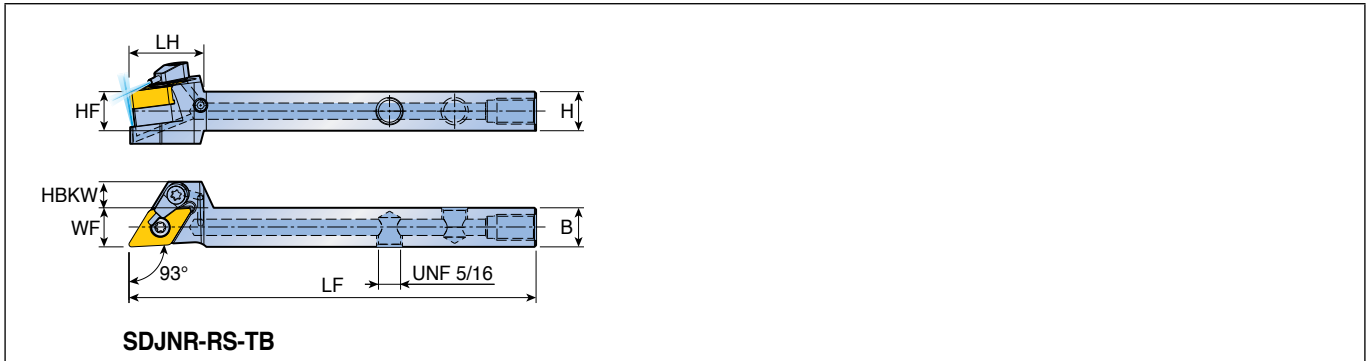
Approach angle	Designation	Dimension (mm)							Insert
		H	HF	B	LF	LH	WF	HBKW	
93°	SDJNR1212 K1305-RS	12	12	12	125	23	12	4	DN...G 1305...
	1616 K1305-RS	16	16	16	125	23	16	-	
	2020 K1305-RS	20	20	20	125	23	20	-	

Spare parts

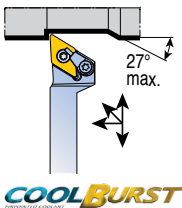
Designation	Screw	Wrench				
						
SDJNR-RS	TS 40G110I	T 15				

SDJNR-RS-TB






Screw type holders with high-pressure coolant



Approach angle	Designation	Dimension (mm)							Insert
		H	HF	B	LF	LH	WF	HBKW	
93°	SDJNR 1212 K1305-RS-TB	12	12	12	125	23	12	8	DN...G 1305...
	1616 K1305-RS-TB	16	16	16	125	23	16	4	

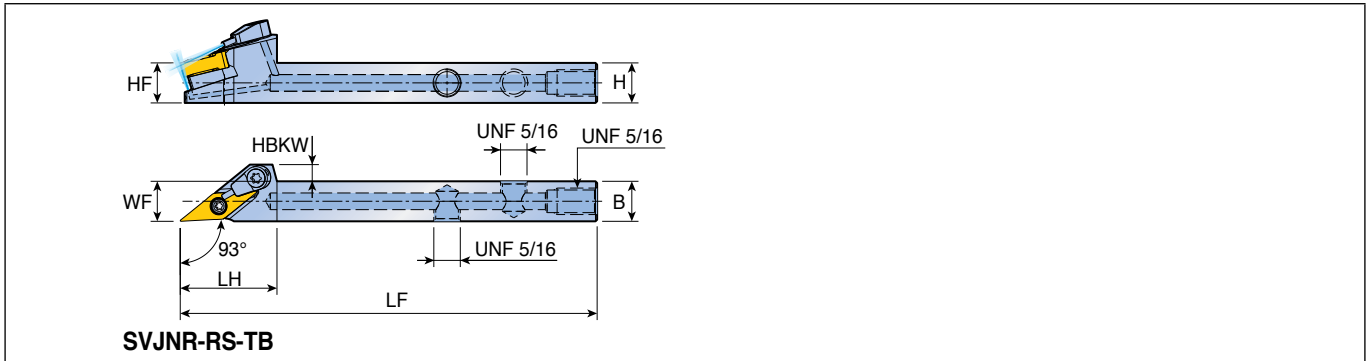


Spare parts

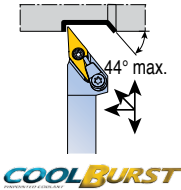
Designation	Screw	Cooling unit	Plug	Wrench			
							
SDJNR-RS-TB	TS 40G110I	S-CU-TB	PLG 5/16 UNF	T 15	L-W 5/32		

SVJNR-RS-TB






Screw type holders with high-pressure coolant



Approach angle	Designation	Dimension (mm)							Insert
		H	HF	B	LF	LH	WF	HBKW	
93°	SVJNR 1212 K1304-RS-TB	12	12	12	125	29	12	5	VN...X 1304...
	1616 K1304-RS-TB	16	16	16	125	29	16	1	



Spare parts

Designation	Screw	Cooling unit	Plug	Wrench			
							
SVJNR-RS-TB	TS 30080I/HG	S-CU-TB	PLG 5/16 UNF	T 9(T-9/5)	L-W 5/32		