

NPN

New Product News



Rigidity Enhanced Boring Bars for Internal Grooving and Turning



KEY POINT

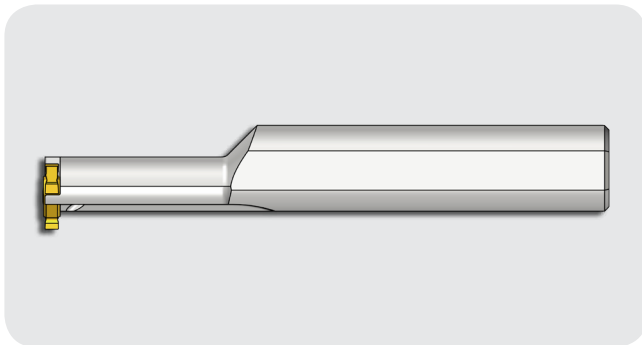
TaeguTec has added reinforced boring bars to the QUAD-I-RUSH family.

The QUAD-I-RUSH family now includes rigidity enhanced boring bars, extending the range's capabilities. The new line is available in 16, 20, 25 and 32 mm diameters, and includes more shank sizes than the current 16 and 20 mm diameters. With the rigidity enhanced boring bars, machining reliability, surface roughness and productivity have been improved.

Features

- Higher feed capability for increased productivity
- Improved machining reliability
- Good surface roughness
- Available shank sizes: Ø16, 20, 25, 32 mm.

TQHIR 20-16.5-14



TQHIR 20-24-14 **new**

