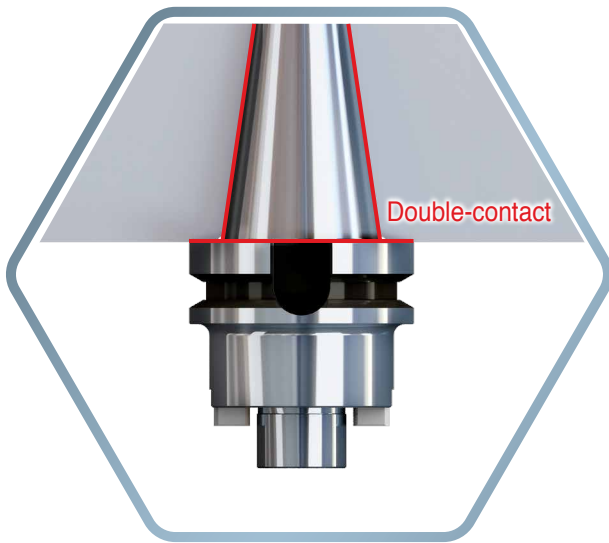


NPN

New Product News



Higher Rigidity BT FC Type Arbor Line



KEY POINT

TaeguTec introduces a higher stability BT FC arbor series including both a taper and face contact.

Many Korean and Japanese manufacturers of double-contact spindles currently sell BT FC type arbors globally, both featuring tapers and face contacts to improve stability. To maintain competitiveness in these market trends and demands, TaeguTec supplies BT FC arbors including face contact as standard items.








As these BT FC arbors are compatible with the BIG+ machine spindles, they enable excellent rigidity and higher precision because of their machining capability even under long overhang or high-load machining conditions.

For further details, please contact the product manager.

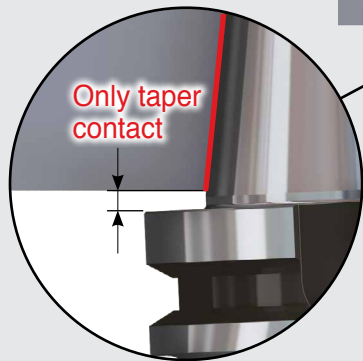
Features

- Strong clamping rigidity
- Enables cutting edge repeatability within 0.002 mm
- Improved radial load capacity due to the larger spindle contact area versus conventional arbors
- Excellent machining performance even under harsh cutting or long overhang machining conditions
- Increased tool life and spindle duration

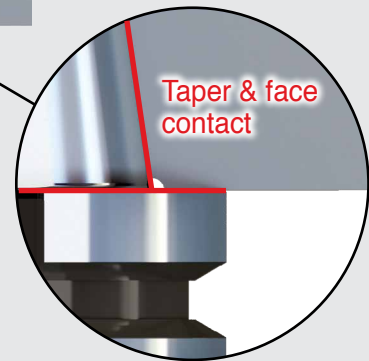
Face contact BT FC series

Collet chucks	End mill holders	Thermal shrinking chucks		Face mill arbors		MPT system
						
BT-FC-ER	BT-FC-EM	BT-FC-SRKIN	BT-FC-SRK	BT-FC-SEM-C	BT-FC-FM	BT-FC-MB

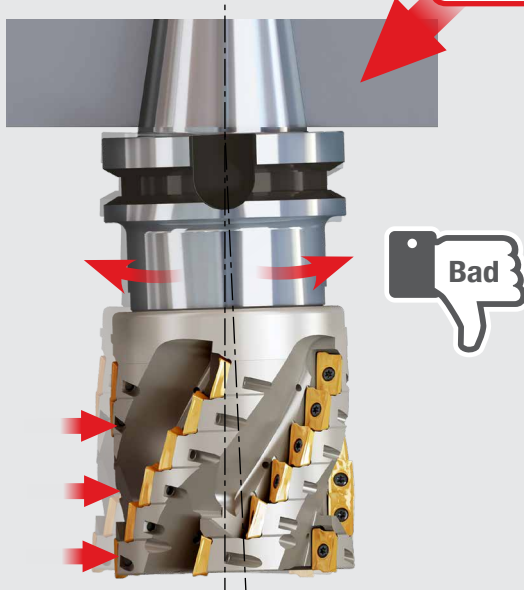
Conventional BT arbor



Face Contact BT FC arbor



Under harsh cutting
or long overhang
machining conditions



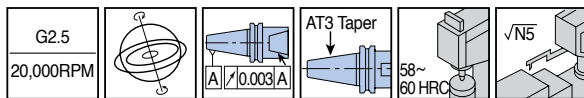
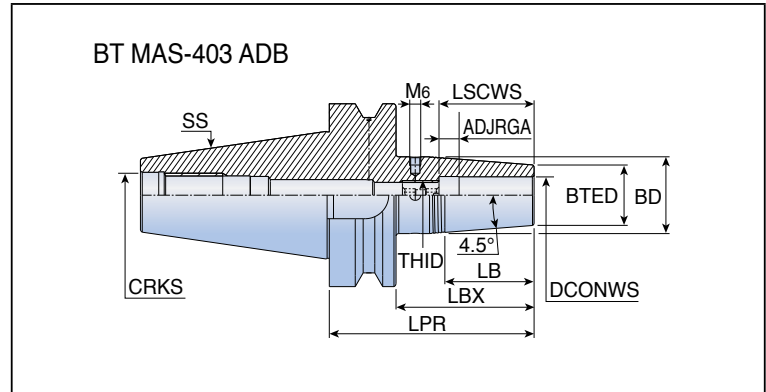
Unstable machining such as warping, vibration, and noise
→ Inadequate roughness and dimensions or tool breakage



Higher stability machining due to the
stronger clamping feature

BT-FC-SRKIN

Thermal shrinking chucks



Designation	Dimension (mm)												Hex key	Kg
	SS	DCONWS	BTED	BD	LPR	LBX	LB	ADJRG	LSCWS	THID	CRKS			
BT40 FC	SRKIN 6X90	40	6	21	27	90	64	38	11	36	M5	M16	2.5	1.16
	SRKIN 8X90	40	8	21	27	90	64	38	11	36	M6	M16	3.0	1.14
	SRKIN10X90	40	10	24	32	90	64	50.8	11	42	M8	M16	4.0	1.29
	SRKIN12X90	40	12	24	32	90	64	50.8	11	47	M10	M16	5.0	1.28
	SRKIN14X90	40	14	27	34	90	64	44.5	11	47	M10	M16	5.0	1.32
	SRKIN16X90	40	16	27	34	90	64	44.5	11	50	M12	M16	6.0	1.31
	SRKIN18X90	40	18	33	42	90	64	57.2	11	50	M12	M16	6.0	3
	SRKIN20X90	40	20	33	42	90	64	57.2	11	52	M16	M16	8.0	1.43
	SRKIN25X110	40	25	44	53	110	84	57.2	11	58	M16	M16	8.0	2.03
BT50 FC	SRKIN 6X100	50	6	21	27	100	63.5	38	11	36	M6	M24	2.5	13.99
	SRKIN 8X100	50	8	21	27	100	63.5	38	11	36	M5	M24	3.0	3.86
	SRKIN10X100	50	10	24	32	100	63.5	50.8	11	42	M8	M24	4.0	10
	SRKIN12X100	50	12	24	32	100	63.5	50.8	11	47	M10	M24	5.0	3.73
	SRKIN14X100	50	14	27	34	100	63.5	44.5	11	47	M10	M24	5.0	10
	SRKIN16X100	50	16	27	34	100	63.5	44.5	11	50	M12	M24	6.0	3.76
	SRKIN20X100	50	20	33	42	100	63.5	57.2	11	52	M16	M24	8.0	3.87
	SRKIN25X120	50	25	44	53	120	83.5	57.2	11	58	M16	M24	8.0	4.47
	SRKIN32X120	50	32	44	53	120	83.5	57.2	11.5	62	M16	M24	8.0	10

