

# NPN

New Product News



## QUAD RUSH

PARTING & GROOVING

### Small Size QUAD-RUSH Inserts and Holders for Swiss Type Automatic Lathes



## KEY POINT

**TaeguTec launches QUAD-RUSH small size inserts and holders for Swiss type automatic lathes.**

The **QUAD-RUSH** line has been highly acclaimed in the market due to its longer tool life with stable performance from a powerful clamping system. In this regard, TaeguTec has miniaturized the popular **QUAD-RUSH** line for Swiss type automatic lathes.

Available as standard inserts with a grooving width of 0.5 to 3.0 mm and a grooving depth of 2.2 to 5.0 mm, the inserts are suitable for small diameter workpieces. With special edge treatment for sharp cutting edges and the new PVD coated TT4430 grade, tool life has been improved with excellent surface finish, less burrs and built-up-edge.

The stable and strong clamping of the **QUAD-RUSH** line provides better tool life, as well as excellent insert position repeatability. **QUAD-RUSH** also provides the optimal solution for various applications such as grooving, parting, turning, profiling and threading. It is available in a wide range of shank sizes (1010, 1212, 1616, 2020) with short heads, and also provides standard COOL-BURST holders with high-pressure coolant up to 300 bar.

\* As part of the new campaign, the design for the new **QUAD-RUSH** line highlights TaeguTec's new direction.

### Features

- 4 cutting edge grooving insert for Swiss type automatic lathes
- Variety of applications for grooving, parting, turning, profiling, threading and machining next to the shoulder
- Grooving width 0.5 - 3.0 mm; grooving depth 2.2 - 5.0 mm
- Superior insert position repeatability and longer tool life with strong clamping force
- Available in 1010, 1212, 1616, 2020 shank size holders for Swiss type automatic lathes
- Available as standard high-pressure coolant COOL-BURST holders up to 300 bar
- PVD coated TT4430 grade and special edge treatment for excellent surface finish and tool life



## QUAD-RUSH insert size range

**new**



TQS/J 20  
Max. cutting depth 5.0 mm



TQC/J/S 27  
Max. cutting depth 6.4 mm

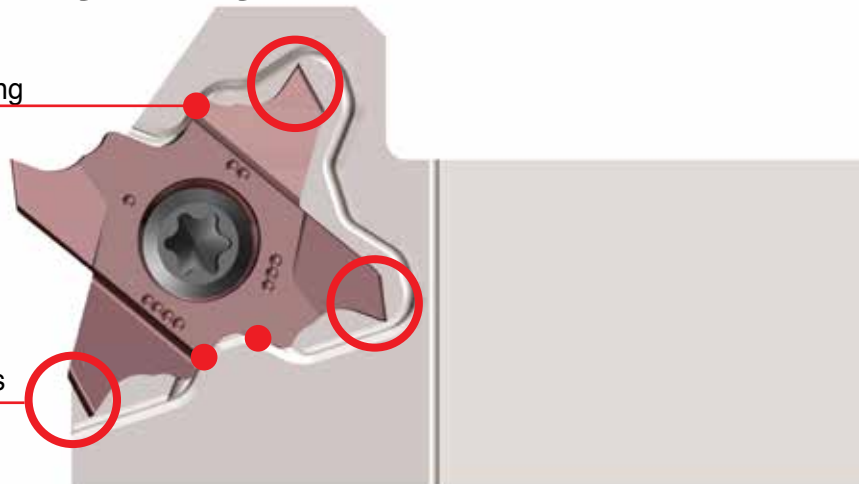


TQC 34  
Max. cutting depth 10 mm

## 4 corner insert for shallow grooving

3-area support for strong clamping

Protection of unused cutting edges



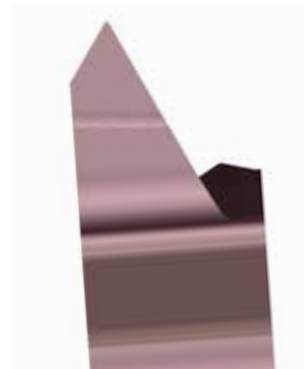
## Various applications



Parting and grooving



Profiling

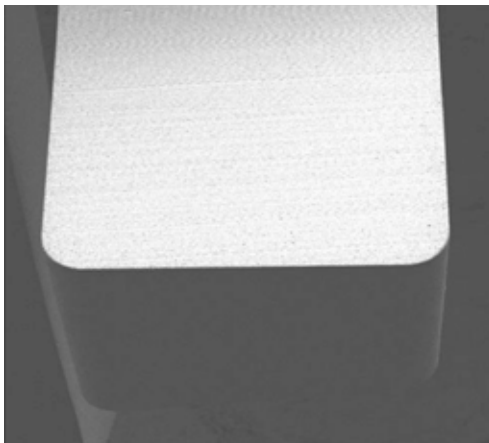


Threading

## Machining next to the shoulder



## TT4430 new PVD coated grade and edge treatment



### TT4430 PVD grade

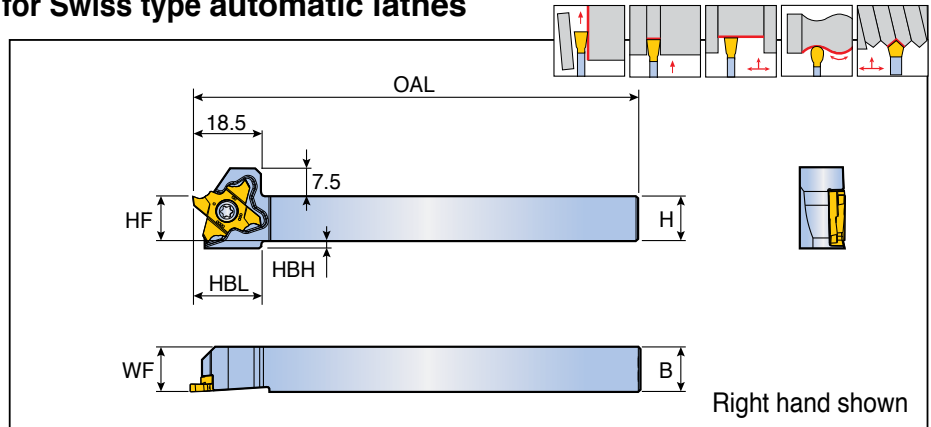
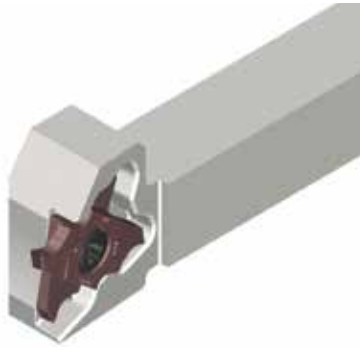
- Ideal combination of a tough submicron substrate and a multi AlTiCrN coated layer for anti-chipping and reliable performance
- General machining of miniature parts for steel, stainless steel and titanium alloy

- Sharp cutting edge without micro chipping
- Improved tool life and reduced burrs
- Good workpiece surface finish



## TQHR/L-20

Grooving and turning holders for Swiss type automatic lathes



Designation	Dimension (mm)							Insert
	H	HF	B	WF	OAL	HBL	HBH	
<b>TQHR/L 10-20</b>	10	10	10	10	120	18.5	4	TQS 20 TQJ 20
<b>12-20</b>	12	12	12	12	120	18.5	2	
<b>16-20</b>	16	16	16	16	120	-	-	
<b>20-20</b>	20	20	20	20	120	-	-	

### Spare parts

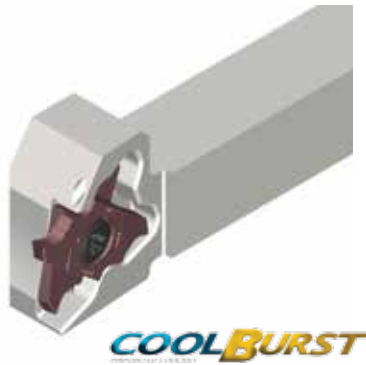
Designation	Screw	Wrench		
<b>TQHR/L...20</b>	TS 40A100L (1) TS 40A100 (2)	T-1508/5		

• (1) For TQHR • (2) For TQHL

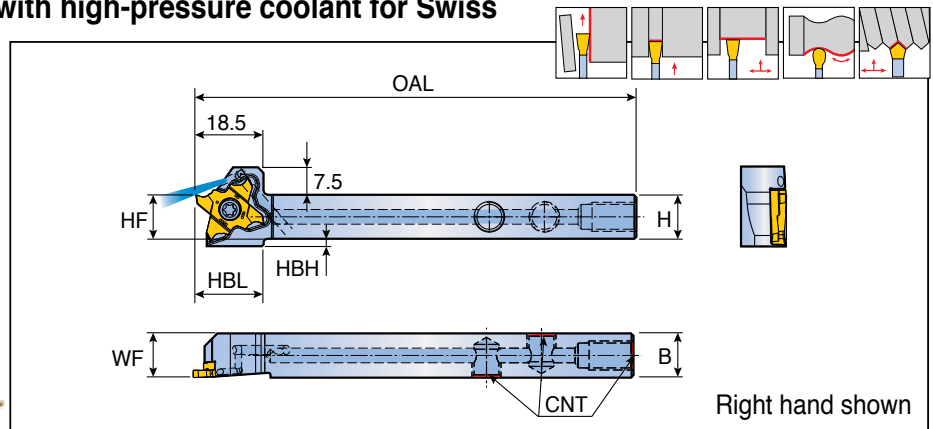


## TQHR/L-20-TB

Grooving and turning holders with high-pressure coolant for Swiss type automatic lathes



COOLBURST



Designation	Dimension (mm)							CNT	Insert
	H	HF	B	WF	OAL	HBL	HBH		
<b>TQHR/L 12-20-TB</b>	12	12	12	12	120	18.5	2	UNF 5/16	TQS 20 TQJ 20
<b>16-20-TB</b>	16	16	16	16	120	-	-	UNF 5/16	
<b>20-20-TB</b>	20	20	20	20	120	-	-	G 1/8	

	70 bar flow rate (ℓ/min)	100 bar flow rate (ℓ/min)	140 bar flow rate (ℓ/min)
<b>TQHR/L- TB</b>	9-11	11-13	12-14

### Spare parts

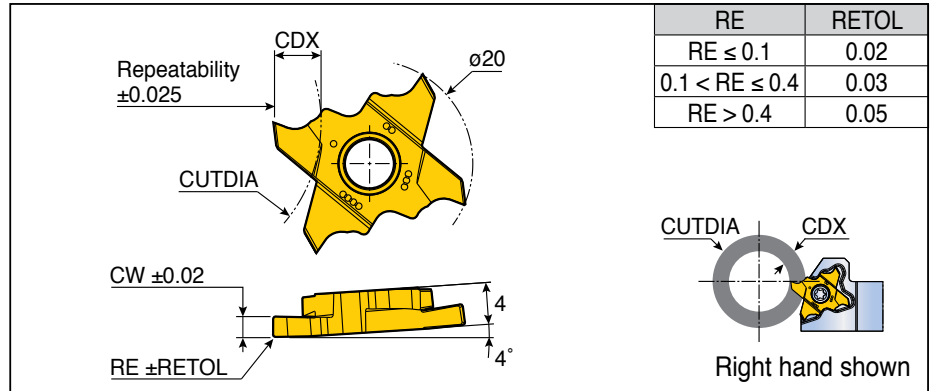
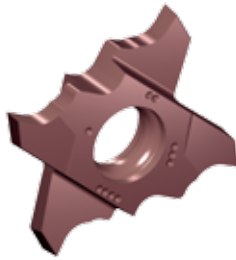
Designation	Screw	Plug	Wrench	
<b>TQHR/L 12/16-20-TB</b>	TS 40A100L (1)	PLG 5/16 UNF	T-1508/5	L-W 5/32
<b>TQHR/L 20-20-TB</b>	TS 40A100 (2)	PLG G1/8-L6.5	T-1508/5	L-W 5

• (1) For TQHR • (2) For TQHL



## TQS 20

Parting and grooving precise inserts with ground chip breaker



Designation	Feed (mm/rev)	CW	RE	CDX	CUTDIA						Grade	
					CDX $\leq$ 2.2	2.2 < CDX $\leq$ 2.7	2.7 < CDX $\leq$ 3.5	3.5 < CDX $\leq$ 4.0	4.0 < CDX $\leq$ 4.5	4.5 < CDX $\leq$ 5.0		TT4430
<b>TQS 20-0.50-0.05-R/L</b>	0.03-0.07	0.50	0.05	2.2	N.L.	-	-	-	-	-	-	●
<b>20-1.00-0.10-R/L</b>	0.03-0.07	1.00	0.10	2.7	N.L.	N.L.	-	-	-	-	-	●
<b>20-1.50-0.10-R/L</b>	0.03-0.10	1.50	0.10	5.0	N.L.	N.L.	70	50	30	16		●
<b>20-2.00-0.10-R/L</b>	0.04-0.12	2.00	0.10	5.0	N.L.	N.L.	70	50	30	16		●
<b>20-2.00-1.00-R/L*</b>	0.05-0.13	2.00	1.00	5.0	N.L.	N.L.	70	50	30	16		●
<b>20-2.50-0.10-R/L</b>	0.04-0.15	2.50	0.10	5.0	N.L.	N.L.	70	50	30	16		●
<b>20-3.00-0.10-R/L</b>	0.04-0.16	3.00	0.10	5.0	N.L.	N.L.	70	50	30	16		●
<b>20-3.00-1.50-R/L*</b>	0.04-0.16	3.00	1.50	5.0	N.L.	N.L.	70	50	30	16		●

• N.L.: No limit  
• \* : Full radius insert

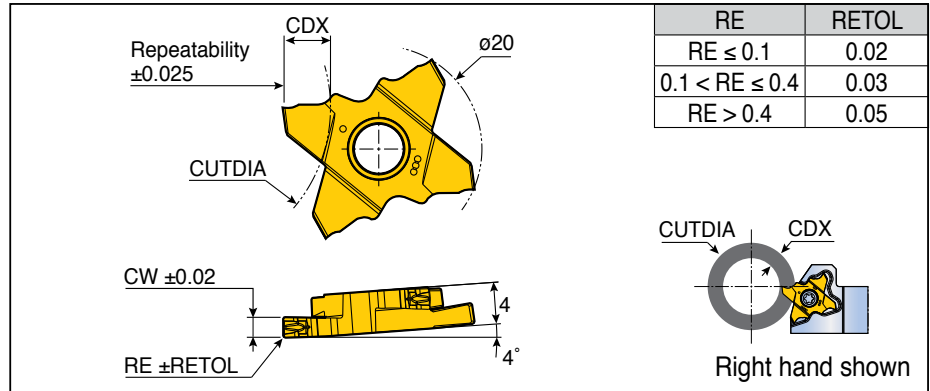
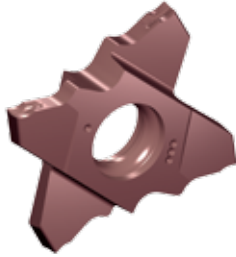
●: Standard items





## TQJ 20

Parting and grooving precise inserts with J-Type chip breaker



Designation	Feed (mm/rev)	CW	RE	CDX	CUTDIA					Grade
					CDX ≤ 2.7	CDX ≤ 3.5	CDX ≤ 4.0	CDX ≤ 4.5	CDX ≤ 5.0	
<b>TQJ 20-1.00-0.10-R/L</b>	0.03-0.07	1.00	0.10	2.7	N.L.	-	-	-	-	●
<b>20-1.50-0.20-R/L</b>	0.03-0.08	1.50	0.20	5.0	N.L.	70	50	30	16	●
<b>20-2.00-0.20-R/L</b>	0.04-0.10	2.00	0.20	5.0	N.L.	70	50	30	16	●

• N.L.: No limit

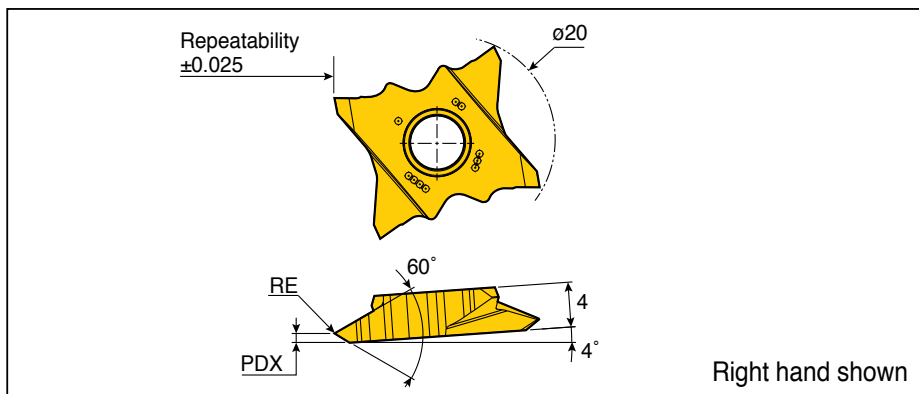
●: Standard items



## TQS 20-MT



### Partial profile 60° threading inserts



Designation	Dimension (mm)						Grade
	TPN	TPX	TPIX	TPIN	RE	PDX	TT4430
<b>TQS 20-MT-0.05-R/L</b>	0.30	1.75	48	14	0.05	0.8	●

• TPN: Thread pitch minimum (mm) • TPX: Thread pitch maximum (mm) • Standard items  
 • TPIN: Thread per inch minimum • TPIX: Thread per inch maximum

## KIT COLLECTIONS

These kit products are available in the format listed below.



Cat. No.	Designation	Bill of materials	Qty.
6334826	<b>KISFT-TQS 20-1001-TB12L</b>	TQHL 12-20-TB	1
		TQS 20-1.00-0.10-L TT4430	3
6334827	<b>KISFT-TQS 20-1501-TB12L</b>	TQHL 12-20-TB	1
		TQS 20-1.50-0.10-L TT4430	3
6334828	<b>KISFT-TQS 20-2001-TB12L</b>	TQHL 12-20-TB	1
		TQS 20-2.00-0.10-L TT4430	3
6334829	<b>KISFT-TQS 20-1001-TB16L</b>	TQHL 16-20-TB	1
		TQS 20-1.00-0.10-L TT4430	3
6334830	<b>KISFT-TQS 20-1501-TB16L</b>	TQHL 16-20-TB	1
		TQS 20-1.50-0.10-L TT4430	3
6334831	<b>KISFT-TQS 20-2001-TB16L</b>	TQHL 16-20-TB	1
		TQS 20-2.00-0.10-L TT4430	3
6334832	<b>KISFT-TQS 20-1001-TB12R</b>	TQHR 12-20-TB	1
		TQS 20-1.00-0.10-R TT4430	3
6334833	<b>KISFT-TQS 20-1501-TB12R</b>	TQHR 12-20-TB	1
		TQS 20-1.50-0.10-R TT4430	3
6334834	<b>KISFT-TQS 20-2001-TB12R</b>	TQHR 12-20-TB	1
		TQS 20-2.00-0.10-R TT4430	3
6334835	<b>KISFT-TQS 20-1001-TB16R</b>	TQHR 16-20-TB	1
		TQS 20-1.00-0.10-R TT4430	3
6334836	<b>KISFT-TQS 20-1501-TB16R</b>	TQHR 16-20-TB	1
		TQS 20-1.50-0.10-R TT4430	3
6334837	<b>KISFT-TQS 20-2001-TB16R</b>	TQHR 16-20-TB	1
		TQS 20-2.00-0.10-R TT4430	3



Cat. No.	Designation	Bill of materials	Qty.
6337891	<b>KISFS-TQS 20-1001-TB12L</b>	TQHL 12-20-TB	1
		TQS 20-1.00-0.10-L TT4430	20
6337892	<b>KISFS-TQS 20-1501-TB12L</b>	TQHL 12-20-TB	1
		TQS 20-1.50-0.10-L TT4430	20
6337893	<b>KISFS-TQS 20-2001-TB12L</b>	TQHL 12-20-TB	1
		TQS 20-2.00-0.10-L TT4430	20
6337894	<b>KISFS-TQS 20-1001-TB16L</b>	TQHL 16-20-TB	1
		TQS 20-1.00-0.10-L TT4430	20
6337895	<b>KISFS-TQS 20-1501-TB16L</b>	TQHL 16-20-TB	1
		TQS 20-1.50-0.10-L TT4430	20
6337896	<b>KISFS-TQS 20-2001-TB16L</b>	TQHL 16-20-TB	1
		TQS 20-2.00-0.10-L TT4430	20
6337897	<b>KISFS-TQS 20-1001-TB12R</b>	TQHR 12-20-TB	1
		TQS 20-1.00-0.10-R TT4430	20
6337898	<b>KISFS-TQS 20-1501-TB12R</b>	TQHR 12-20-TB	1
		TQS 20-1.50-0.10-R TT4430	20
6337899	<b>KISFS-TQS 20-2001-TB12R</b>	TQHR 12-20-TB	1
		TQS 20-2.00-0.10-R TT4430	20
6337900	<b>KISFS-TQS 20-1001-TB16R</b>	TQHR 16-20-TB	1
		TQS 20-1.00-0.10-R TT4430	20
6337901	<b>KISFS-TQS 20-1501-TB16R</b>	TQHR 16-20-TB	1
		TQS 20-1.50-0.10-R TT4430	20
6337906	<b>KISFS-TQS 20-2001-TB16R</b>	TQHR 16-20-TB	1
		TQS 20-2.00-0.10-R TT4430	20



Cat. No.	Designation	Bill of materials	Qty.
6338456	<b>KISFF-A-TQS20-1001LTT4430</b>	TQS 20-1.00-0.10-L TT4430	50
6338457	<b>KISFF-B-TQS20-1001LTT4430</b>		100
6338458	<b>KISFF-A-TQS20-1501LTT4430</b>	TQS 20-1.50-0.10-L TT4430	50
6338459	<b>KISFF-B-TQS20-1501LTT4430</b>		100
6338460	<b>KISFF-A-TQS20-2001LTT4430</b>	TQS 20-2.00-0.10-L TT4430	50
6338461	<b>KISFF-B-TQS20-2001LTT4430</b>		100
6338462	<b>KISFF-A-TQS20-1001RTT4430</b>	TQS 20-1.00-0.10-R TT4430	50
6338463	<b>KISFF-B-TQS20-1001RTT4430</b>		100
6338464	<b>KISFF-A-TQS20-1501RTT4430</b>	TQS 20-1.50-0.10-R TT4430	50
6338465	<b>KISFF-B-TQS20-1501RTT4430</b>		100
6338466	<b>KISFF-A-TQS20-2001RTT4430</b>	TQS 20-2.00-0.10-R TT4430	50
6338467	<b>KISFF-B-TQS20-2001RTT4430</b>		100