

NPN

New Product News



New Milling Chucks and Collets



KEY POINT

TaeguTec has released new milling chucks and collets.

New milling chucks and collets have been released that further enhance the performance of the existing lines. The new collet products are available in two types: internal coolant type and general type.

With the launch of these new products, the existing products will be phased out after the current stock is depleted. Both the existing and new products are compatible with each other.

Please contact the product manager for further technical information.

New milling chucks and collets features

- Easier clamping due to the clamping nut's simple tightening that chucks/unchucks in two turns
- O-ring design that enables excellent surface contact and vibration prevention
- Two collet types: internal coolant type, general type for a widened range of milling requirements

Milling chucks

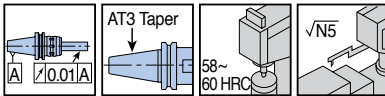
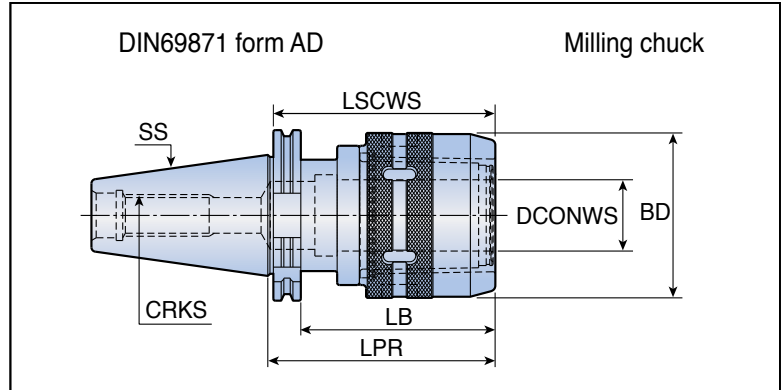
Phased out	Replacement
4651956 DIN69871 30 TMC 20-80 6188689 DIN69871 30 TMC 25-90	
4651957 DIN69871 40 TMC 20-80 4653215 DIN69871 40 TMC 20-90 4651958 DIN69871 40 TMC 20-105 4651959 DIN69871 40 TMC 25-90 4651960 DIN69871 40 TMC 25-105 4651961 DIN69871 40 TMC 32-90 4651962 DIN69871 40 TMC 32-105 4651963 DIN69871 40 TMC 32-135	6312464 DIN69871 40 NTMC 20-90 6312465 DIN69871 40 NTMC 20-105 6312466 DIN69871 40 NTMC 32-95 6312467 DIN69871 40 NTMC 32-105 6312468 DIN69871 40 NTMC 32-120
4653216 DIN69871 50 TMC 20-80 4651964 DIN69871 50 TMC 20-105 4651965 DIN69871 50 TMC 25-90 4651966 DIN69871 50 TMC 25-105 4653217 DIN69871 50 TMC 32-90 4651967 DIN69871 50 TMC 32-105 4651968 DIN69871 50 TMC 32-135 4651969 DIN69871 50 TMC 32-165 4651970 DIN69871 50 TMC 42-115 4651971 DIN69871 50 TMC 42-135	6312469 DIN69871 50 NTMC 20-105 6312470 DIN69871 50 NTMC 32-105 6312471 DIN69871 50 NTMC 32-135 6312472 DIN69871 50 NTMC 32-165 6312473 DIN69871 50 NTMC 42-105 6312474 DIN69871 50 NTMC 42-135
4652034 HSK A 63 TMC 20-105 4652035 HSK A 63 TMC 25-120 4652036 HSK A 63 TMC 32-130	6312457 HSK A 63 NTMC 20-105 6312458 HSK A 63 NTMC 25-105 6312459 HSK A 63 NTMC 32-130
4653264 HSK A 100 TMC 20-110 4652037 HSK A 100 TMC 25-130 4652038 HSK A 100 TMC 32-135 4652039 HSK A 100 TMC 42-135	6312460 HSK A 100 NTMC 20-105 6312461 HSK A 100 NTMC 25-135 6312462 HSK A 100 NTMC 32-135 6312463 HSK A 100 NTMC 42-135
4651985 BT30 TMC 20-75 4653218 BT30 TMC 25-80	6312413 BT30 NTMC 20-75 6312414 BT30 NTMC 25-80
4651986 BT40 TMC 20-80 4651987 BT40 TMC 20-105 4651988 BT40 TMC 25-90 4651989 BT40 TMC 25-105 4651990 BT40 TMC 32-90 4651991 BT40 TMC 32-105 4651992 BT40 TMC 32-135	6312437 BT40 NTMC 20-80 6312438 BT40 NTMC 20-90 6312439 BT40 NTMC 25-90 6312440 BT40 NTMC 25-105 6312441 BT40 NTMC 32-85 6312442 BT40 NTMC 32-105 6312443 BT40 NTMC 32-120
4651993 BT50 TMC 20-105 4651994 BT50 TMC 20-135 4651995 BT50 TMC 20-165 4651997 BT50 TMC 25-105 4651998 BT50 TMC 25-135 4652000 BT50 TMC 25-165 4652001 BT50 TMC 32-105 4652002 BT50 TMC 32-115 4652003 BT50 TMC 32-135 4652004 BT50 TMC 32-165 4652005 BT50 TMC 42-115 4652006 BT50 TMC 42-135 4652007 BT50 TMC 42-165	6312444 BT50 NTMC 20-105 6312445 BT50 NTMC 20-135 6312446 BT50 NTMC 20-165 6312447 BT50 NTMC 25-105 6312448 BT50 NTMC 25-135 6312449 BT50 NTMC 25-165 6312450 BT50 NTMC 32-105 6312451 BT50 NTMC 32-120 6312452 BT50 NTMC 32-135 6312453 BT50 NTMC 32-165 6312454 BT50 NTMC 42-120 6312455 BT50 NTMC 42-135 6312456 BT50 NTMC 42-165
4651974 DIN2080 40 TMC 25-78 4651975 DIN2080 40 TMC 32-78	6312475 DIN2080 40 NTMC 25-70 6312476 DIN2080 40 NTMC 32-75
4651977 DIN2080 50 TMC 32-85 4651978 DIN2080 50 TMC 42-102	6312477 DIN2080 50 NTMC 32-90 6312478 DIN2080 50 NTMC 42-90

Collets

Phased out	Replacement
4602130 CSR 20-4 4600088 CSR 20-6 4600089 CSR 20-8 4600085 CSR 20-10 4600086 CSR 20-12 4600087 CSR 20-16	6312479 NCSR 20-6 6312480 NCSR 20-8 6312481 NCSR 20-10 6312482 NCSR 20-12 6312483 NCSR 20-16
4602131 CSR 25-4 4600094 CSR 25-6 4600095 CSR 25-8 4600090 CSR 25-10 4600091 CSR 25-12 4600092 CSR 25-16 4600093 CSR 25-20	6312484 NCSR 25-6 6312485 NCSR 25-8 6312486 NCSR 25-10 6312487 NCSR 25-12 6312488 NCSR 25-16 6312489 NCSR 25-20
4602729 CSR 32-3 4602132 CSR 32-4 4600103 CSR 32-5 4600104 CSR 32-6 4601160 CSR 32-7 4600106 CSR 32-8 4601142 CSR 32-9 4600096 CSR 32-10 4601143 CSR 32-11 4600097 CSR 32-12 4601144 CSR 32-13 4601157 CSR 32-14 4602600 CSR 32-15 4600099 CSR 32-16 4601146 CSR 32-17 4601147 CSR 32-18 4600100 CSR 32-20 4601148 CSR 32-22 4601141 CSR 32-24 4600101 CSR 32-25	6312490 NCSR 32-6 6312491 NCSR 32-8 6312492 NCSR 32-10 6312493 NCSR 32-12 6312494 NCSR 32-16 6312495 NCSR 32-20 6312496 NCSR 32-25
4602133 CSR 42-4 4600118 CSR 42-6 4600120 CSR 42-8 4600107 CSR 42-10 4600108 CSR 42-12 4600111 CSR 42-16 4600113 CSR 42-20 4600114 CSR 42-25 4602862 CSR 42-27 4602863 CSR 42-28 4602864 CSR 42-29 4602865 CSR 42-30 4600117 CSR 42-32	6312497 NCSR 42-6 6312498 NCSR 42-8 6312499 NCSR 42-10 6312500 NCSR 42-12 6312501 NCSR 42-16 6312502 NCSR 42-20 6312503 NCSR 42-25 6312504 NCSR 42-32

DIN69871-NTMC

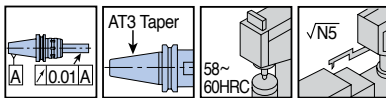
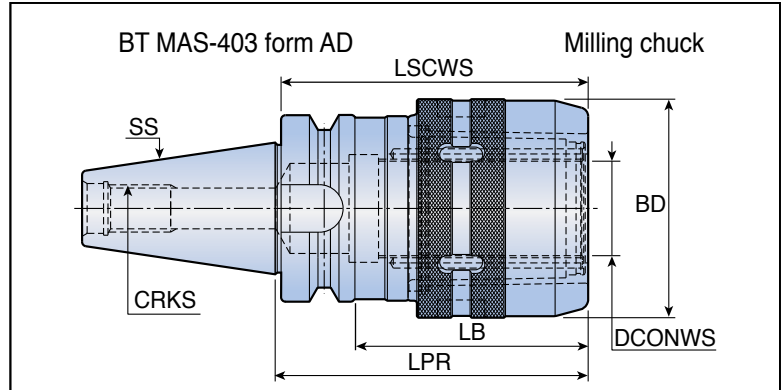
Milling chucks



Designation	Dimension (mm)						
	SS	DCONWS	BD	LPR	LB	LSCWS	CRKS
DIN69871 40 NTMC 20-90							
DIN69871 50 NTMC 20-105							

BT-NTMC

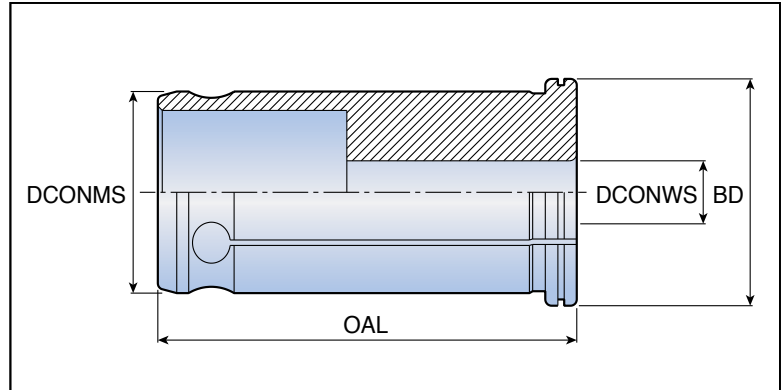
Milling chucks



Designation	Dimension (mm)							
	SS	DCONWS	BD	LPR	LB	LSCWS	CRKS	
BT30	NTMC 20-75	30	20	53	75	51.4	70	M12
	NTMC 25-80	30	25	62	80	58.3	70	M12
BT40	NTMC 20-80	40	20	53	80	53	82	M16
	NTMC 20-90	40	20	53	90	63	82	M16
	NTMC 25-90	40	25	62	90	63	85	M16
	NTMC 25-105	40	25	62	105	78	95	M16
	NTMC 32-85	40	32	72	85	56	80	M16
	NTMC 32-105	40	32	72	105	78.5	90	M16
	NTMC 32-120	40	32	72	120	93.5	105	M16
	BT50	NTMC 20-105	50	20	53	105	67	82
	NTMC 20-135	50	20	53	135	97	82	M24
	NTMC 20-165	50	20	53	165	127	82	M24
	NTMC 25-105	50	25	62	105	67	90	M24
	NTMC 25-135	50	25	62	135	97	90	M24
	NTMC 25-165	50	25	62	165	127	90	M24
	NTMC 32-105	50	32	74	105	67	110	M24
	NTMC 32-120	50	32	74	120	82	125	M24
	NTMC 32-135	50	32	74	135	97	125	M24
	NTMC 32-165	50	32	74	165	127	125	M24
	NTMC 42-120	50	42	94	120	82	125	M24
	NTMC 42-135	50	42	94	135	97	130	M24
	NTMC 42-165	50	42	94	165	127	135	M24

NCSR

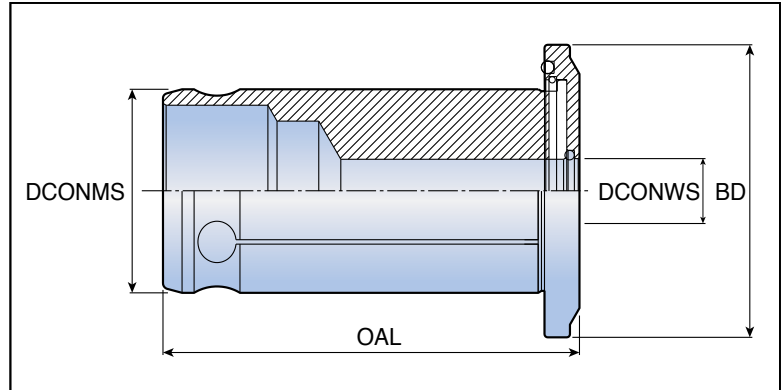
Straight collets for milling chucks: general type



Designation	Dimension (mm)			
	DCONMS	DCONWS	BD	OAL
NCSR 20-6	20	6	25	55
20-8	20	8	25	55
20-10	20	10	25	55
20-12	20	12	25	55
20-16	20	16	25	55
25-6	25	6	29	59
25-8	25	8	29	59
25-10	25	10	29	59
25-12	25	12	29	59
25-16	25	16	29	59
25-20	25	20	29	59
32-6	32	6	36	65
32-8	32	8	36	65
32-10	32	10	36	65
32-12	32	12	36	65
32-16	32	16	36	65
32-20	32	20	36	65
32-25	32	25	36	65
42-6	42	6	45	70
42-8	42	8	45	70
42-10	42	10	45	70
42-12	42	12	45	70
42-16	42	16	45	70
42-20	42	20	45	70
42-25	42	25	45	70
42-32	42	32	45	70

NCSR-C

Straight collets for milling chucks: internal coolant type



Designation	Dimension (mm)			
	DCONMS	DCONWS	BD	OAL
NCSR 20-6C	20	6	34.4	55
20-8C	20	8	34.4	55
20-10C	20	10	34.4	55
20-12C	20	12	34.4	55
20-16C	20	16	34.4	55
25-6C	25	6	39.4	59
25-8C	25	8	39.4	59
25-10C	25	10	39.4	59
25-12C	25	12	39.4	59
25-16C	25	16	39.4	59
25-20C	25	20	39.4	59
32-6C	32	6	46	65
32-8C	32	8	46	65
32-10C	32	10	46	65
32-12C	32	12	46	65
32-16C	32	16	46	65
32-20C	32	20	46	65